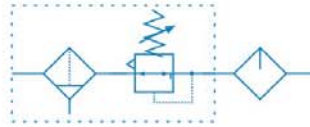


FR + L (2 Pcs.) (Combination + Lubricator)

Features

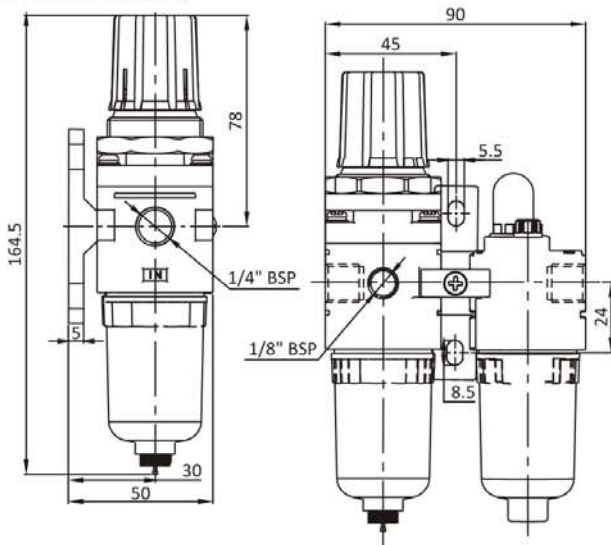
- ▶ Safety steel bowl guard - Push in turn type
- ▶ Modular Mounting Type
- ▶ Sinter Bronze Filter Element
- ▶ Suitable for Panel and Modular Mounting Type
- ▶ Fine Adjustment of Lubrication
- ▶ Lubrication Proportional to Flow
- ▶ Type of Oil to be used ISO VG32.



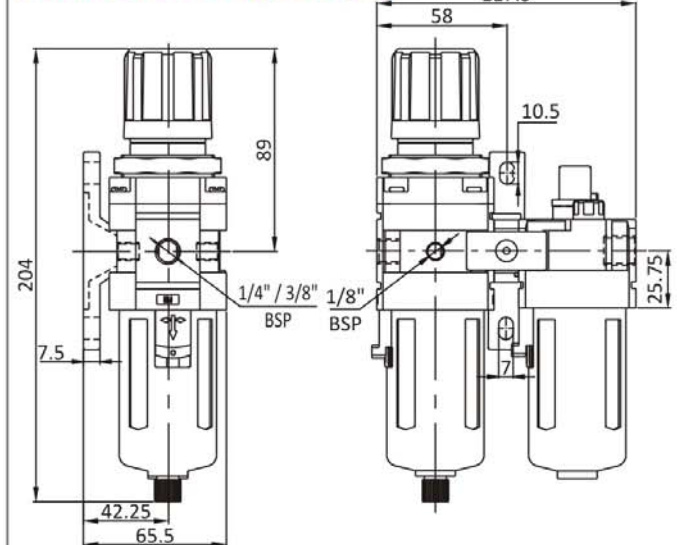
Technical Specification

Model	JHFRCLM-13	JHFRCLM-14A	JHFRCLM-14B	JHFRCLM-15	JHFRCLM-17A	JHFRCLM-17B
Size	1/4"	1/4"	3/8"	1/2"	3/4"	1"
Opr. Pressure	10 Kg/cm ² (max.)					
Temperature	50 °C (max.)					
Seals	NBR					
Media	Compressed air					
Weight (Approx.)	0.660	0.980	0.980	1.930	2.900	2.900

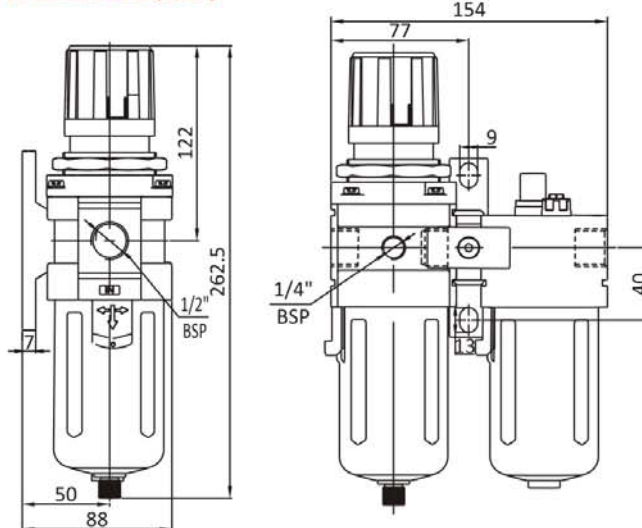
JHFRCLM - 13 (1/4")



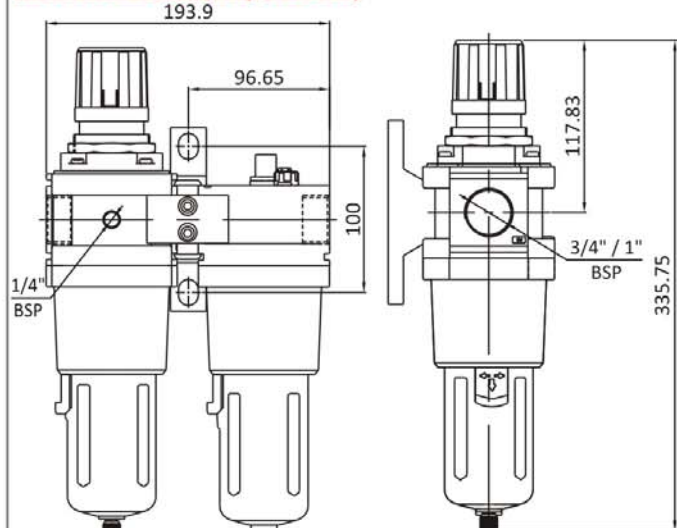
JHFRCLM - 14A & 14B (1/4" & 3/8")



JHFRCLM - 15 (1/2")



JHFRCLM - 17A & 17B (3/4" & 1")



Note : Since, constant worldwide advancement in technology, We keep our rights reserved to make changes time to time in Technical Specification and Dimensions without prior notice.

